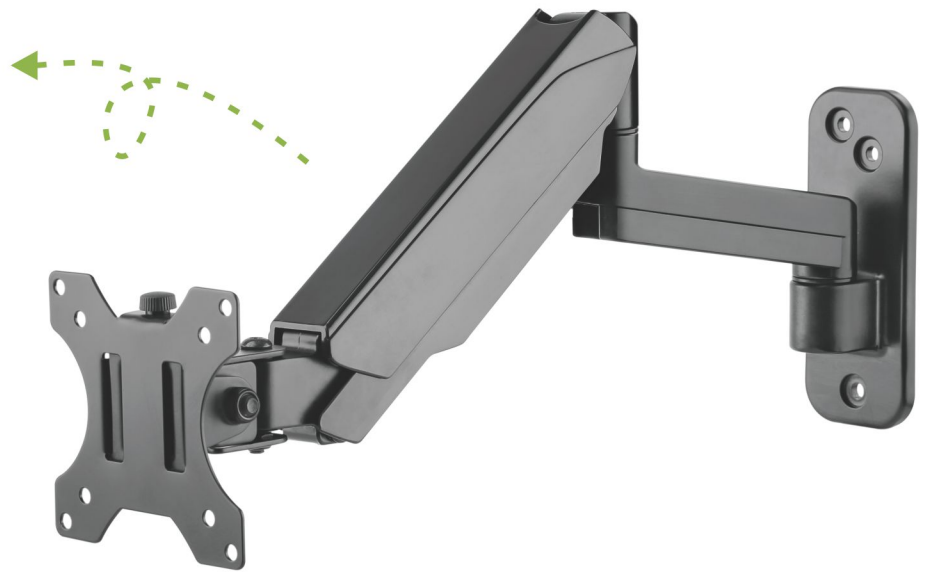


LDA30 Series

## Gas Spring Monitor Wall Mounts



They're all about being easy to use



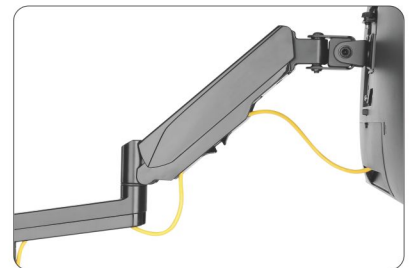
**Adjustable gas pressure** accommodates smooth adjustment for different weight of monitors.



**Three mounting holes** are easy for installation, and securely holds your monitor.



**Quick-release VESA plate** for easy installation



**Cable management** creates a clutter-free desktop.

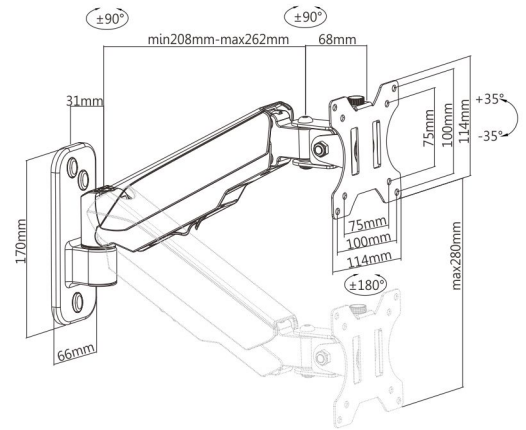
# LDA30 Series

## Gas Spring Monitor Wall Mounts

### ► LDA30-111



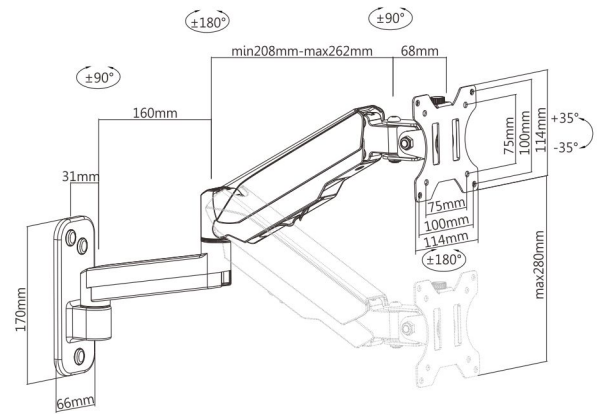
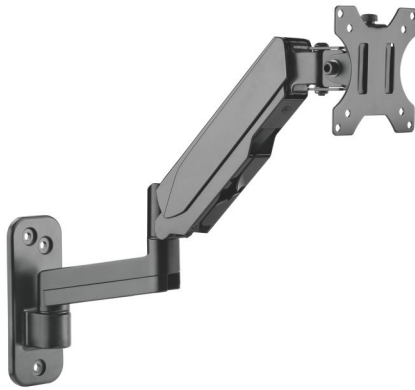
Weight Capacity  
1-8kg/2.2-17.6lbs



### ► LDA30-112



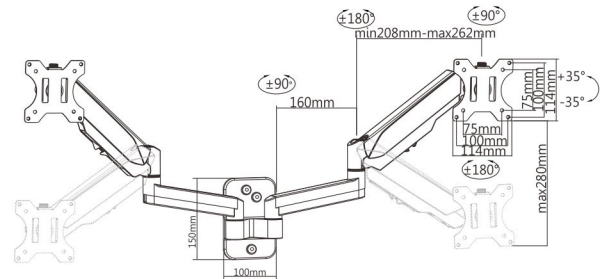
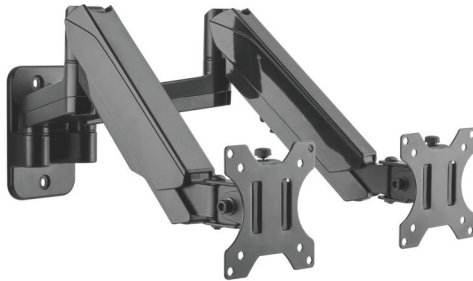
Weight Capacity  
1-8kg/2.2-17.6lbs



### ► LDA30-114



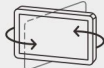
Weight Capacity  
1-8kg/2.2-17.6lbs(x2)



Screen Size  
17"-32"



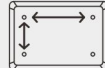
Tilt Range  
 $+35^\circ$ -- $-35^\circ$



Swivel Range  
 $+90^\circ$ -- $-90^\circ$



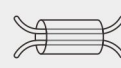
Screen Rotation  
 $+180^\circ$ -- $-180^\circ$



VESA Compatible  
75x75 100x100



Curved TV



Cable Management

Adding adjustability to your monitor means a lot. The monitor arms free you from fixed posture, and help you adjust to a comfortable posture. A suitable positioning of monitor can largely reduce strain on eyes, neck, shoulder and back. All of the health benefits can be simply gained by the adjustment of

- **Focal Distance**
- **Monitor Angle**
- **Monitor Height**

**Your investment will quickly pay off by the reduction of healthcare, missed time and increased productivity.**

For More Related Ergonomic Products  
Please Visit Our Website:

