

HA-IN72

HA Series Intercom Indoor Station



Key Feature

Two-Wire Indoor Station

- Easy, Cost-Efficient Installation
- 7 inch Touch-Screen, User Friendly Interface, Plug & Play
- Receives Video Call And Unlocks On Mobile App Anywhere, Anytime

Specification

Indoor Station

System parameters

Memory	128 MB
Flash	32 MB
Operation system	Embedded Linux operation system

Display parameters

Display screen	7-inch TFT touch screen
Display resolution	1024 × 600
Operation method	Capacitive touch screen
Brightness	Adjustable

Audio parameters

Audio input	Built-in microphone
Audio output	Built-in loudspeaker
Volume	Local adjustable
Audio compression standard	G.711 U, G.711 A
Audio quality	Noise suppression and echo cancellation

Network parameters

Wired network	10/100 Mbps self-adaptive
Wireless network	Wi-Fi 802.11 b/g/n

Interfaces

Two-wire interface	1
Alarm input	8
Debugging port	1 channel reserved
RS485	1

General

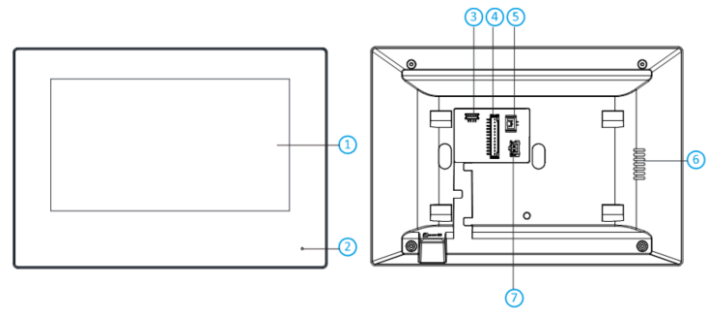
Power supply	24 VDC
Power consumption	≤ 8 W
Working temperature	-10 °C to 55 °C (14 °F to 131 °F)
Working humidity	10% to 90%
Dimension	200 × 140 × 23.6 mm (7.87" × 5.51" × 0.93")
Weight	334.5 g

Available Model

HA-IN72

Appearance and Interfaces

Two-Wire Indoor Station

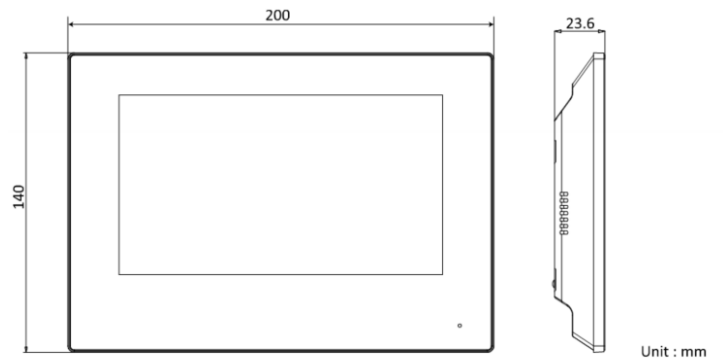


No.	Description	No.	Description
1	Display Screen	5	Two-Wire Interface
2	Microphone	6	Loudspeaker
3	Debugging Port	7	Power Supply Interface
4	Alarm Terminal		

Note: The debugging port is used for debugging only.

Dimension

Two-Wire Indoor Station



Unit : mm

Typical Application

