

EZVIZ Solar Charging Panel

The power station for EZVIZ Battery-Operated Cameras

Security Video For Smart Life



01

02

03

04

05

Introduction

Features

Operation

SPEC

Comparison

01

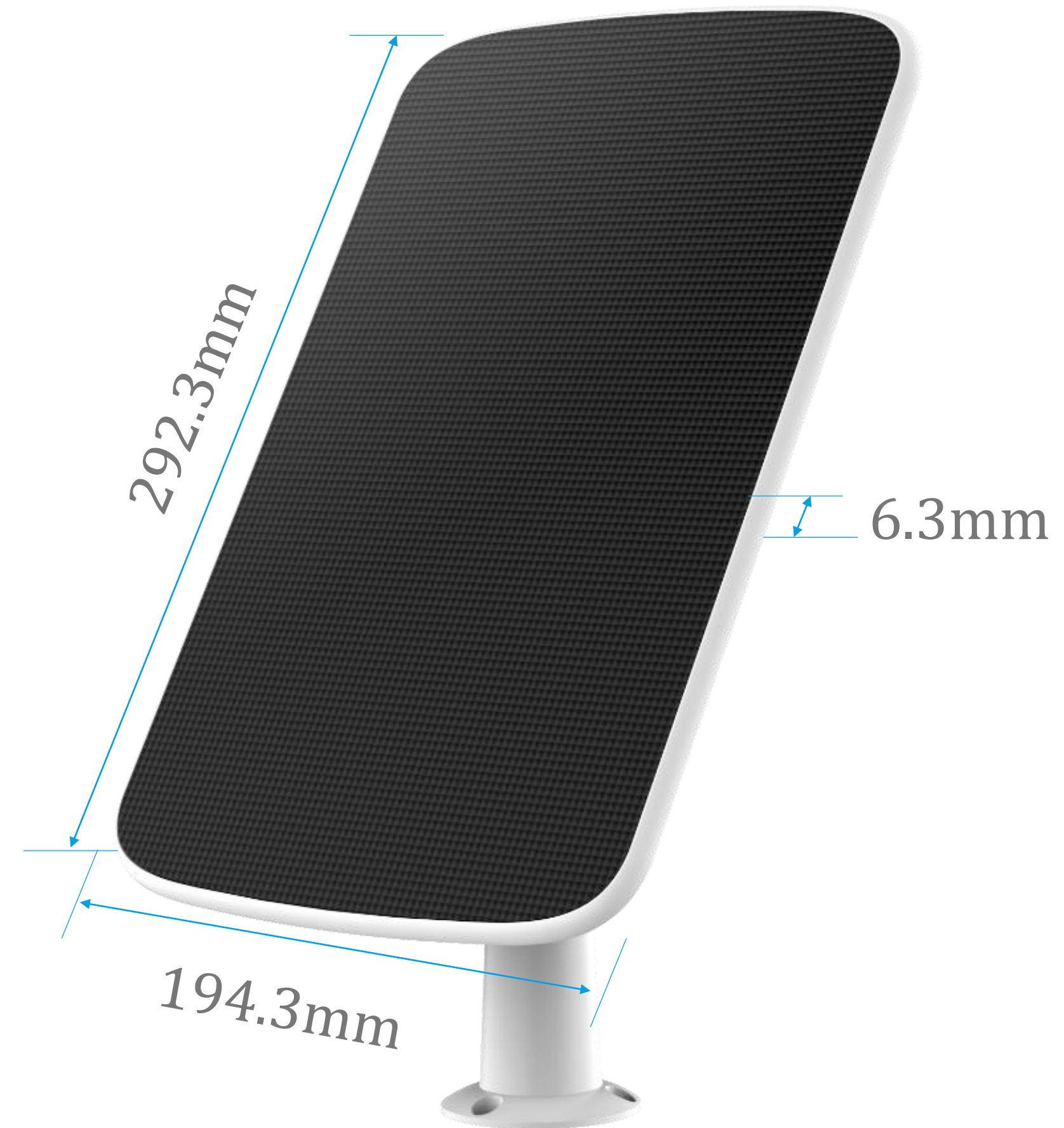
Introduction



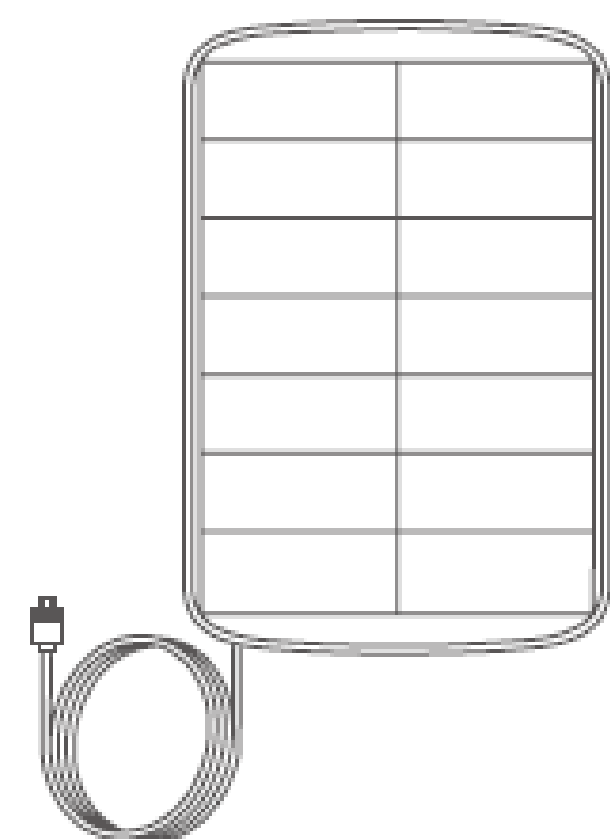
Appearance



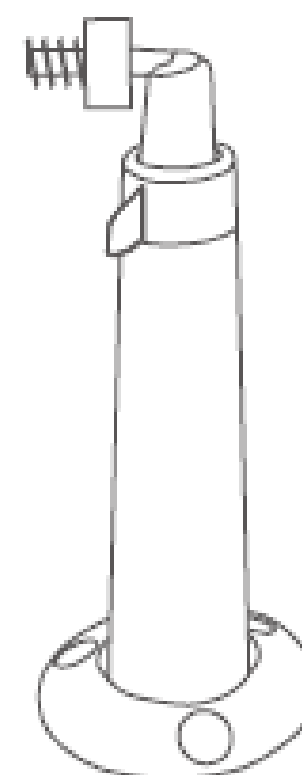
Dimensions



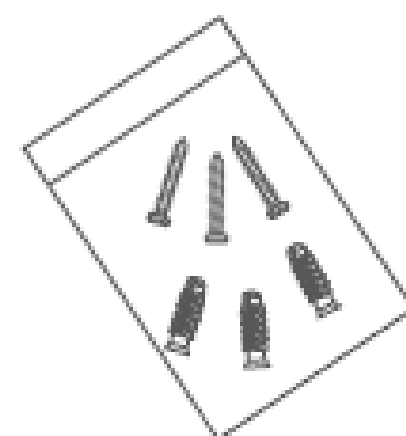
Box Contents



Solar Panel (x1)



Adjustable Mounting Bracket (x1)



Screw Kit (x1)



Quick Start Guide (x1)

i The solar panel appearance is subject to the actual one you have bought.

02

Features





Solar Charging Panel

Designed for EZVIZ Battery-Operated Cameras*

Connect your EZVIZ battery-powered camera to our Weatherproof Solar Panel to capture the sun's free, clean energy – and enjoy year-round security.

*Currently compatible with these models: CS-BC1C, CS-BC1-B1, CS-BC1-B2, CS-BC1-B3, CS-BC1, CS-C3A (Version C). The list of compatible models will grow as we launch new battery cameras. Please check for compatibility before purchasing.



Energy-saving and Eco-friendly Solar Power Supply



High Efficiency with Monocrystalline Silicon Cell Solution



Up to 6.18 W of Charging Power for a Long-lasting Supply



4-Meter Cable for Mounting Flexibility



IP65 Weatherproof Protection for Outdoor Use



Non-stop protection

Made of single crystalline silicon solar cells, the Solar Panel delivers up to **6.18 W** of power. It will max out on sunny days to make sure the battery camera has enough power to operate all day and night.

Non-stop protection.

Made of single crystalline silicon solar cells, the Solar Panel delivers up to 6.18 W of power. It will max out on sunny days to make sure the battery camera has enough power to operate all day and night.



Weatherproof protection

Featuring a durable frame and stainless steel screws, the solar panel easily withstands rain, dust, snow and sun. Just mount it, leave it, and enjoy the sun's continual power.

Weatherproof design.

Featuring a durable frame and stainless steel screws, the solar panel easily withstands rain, dust, snow and sun. Just mount it, leave it, and enjoy the sun's continual power.



Flexible installation.

With an adjustable bracket that rotates 360 degrees and a 4-meter-long cable, the Solar Panel offers incredible flexibility. Mount your security camera where you need it, then find a sunny spot to install the solar panel. With 4 meters (13 feet) of cable, you will get the flexibility you need for great security and continual power.



Up to 4 meters

03

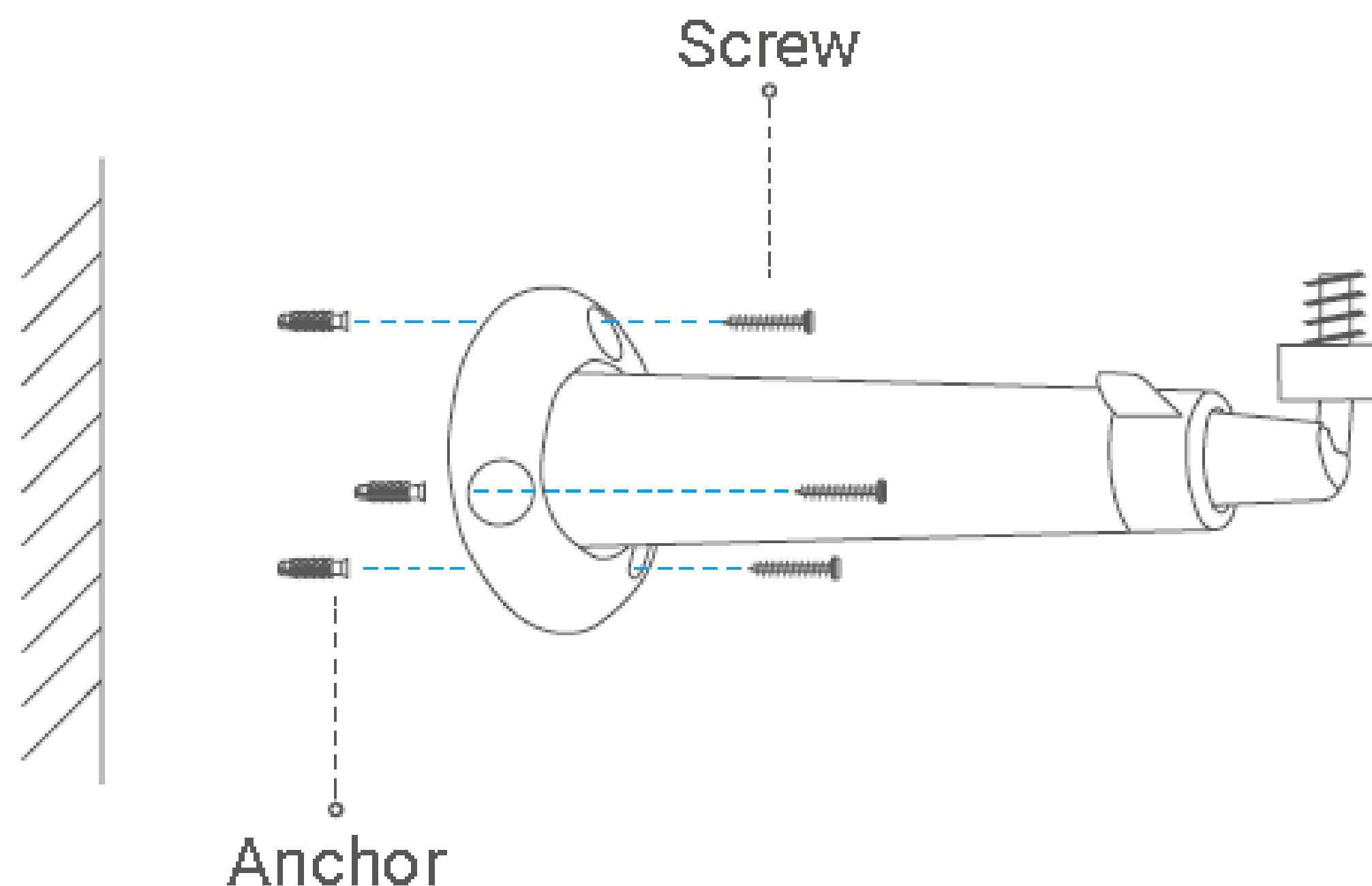
Operation



1. Install the bracket

1 Install the bracket

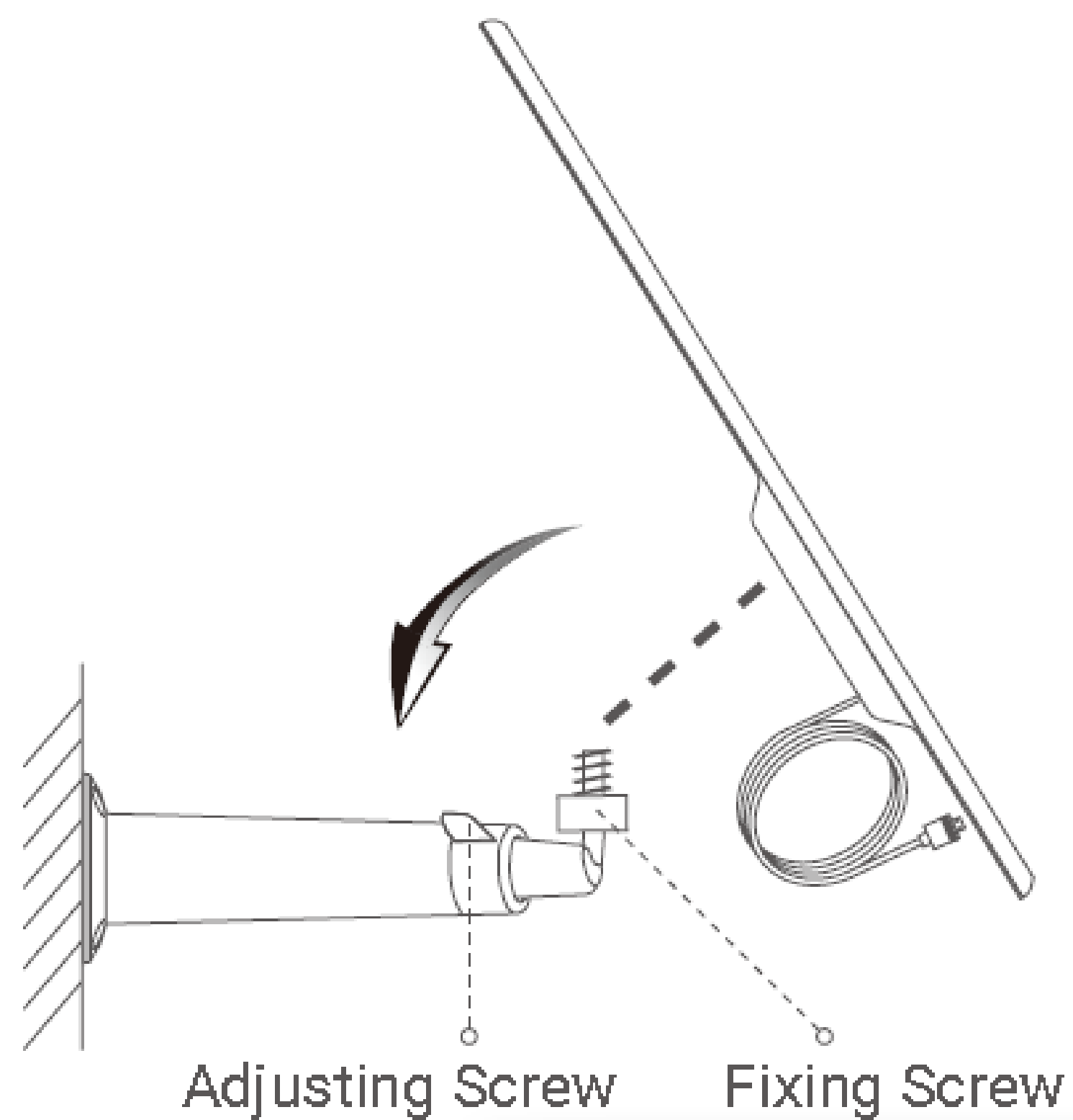
- (For the cement wall/ceiling only) Drill screw holes, and insert three anchors.
- Use three screws to fix the bracket.



When drilling holes for expansion bolts, please make sure that the diameter of the drill head is 5.5mm to 6mm, and that the hole depth is not less than 25mm.

2. Install the bracket

- 2** Install the Solar Panel
- Mount the solar panel on the bracket.
 - Tighten the fixing screw.



3. Adjust the Angle

3 Adjust the Angle

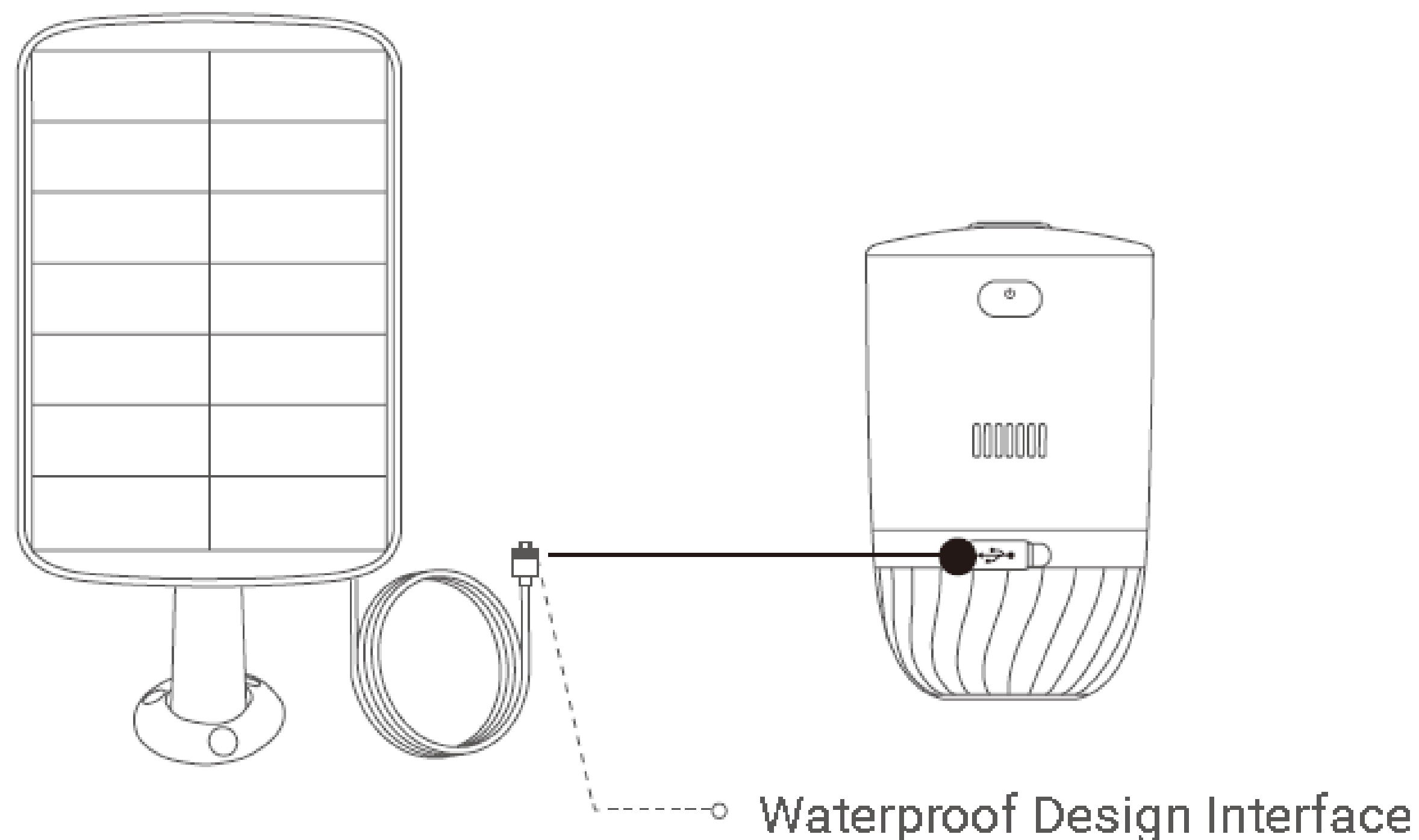
- Loosen the adjusting screw.
- Adjust the solar panel angle as your desired place.
- Tighten the adjusting screw when you have the solar panel in the position you want.

- i** • Please do not place the solar panel completely parallel to the ground to avoid dust or other dirt.
- The solar panel should be tilted to receive maximum solar radiation and the recommended tilt angle is 25°-40°.

4. Charge the Battery Camera

4 Charge the Battery Camera

- Connect it with battery camera.



- i** • In accordance with safety and regulatory requirements, the working environment temperature range for battery charging should be maintained at 0-45°C.
- For detailed information, please visit www.ezvizlife.com.

04



SPEC



Specifications CS-CMT-Solar Panel-C

Performance parameter

Power voltage	6V \pm 5%
Max. Power current	1030 mA \pm 5%
Max. Power	6.18 W
Transformation efficiency	21.6%
Operation temperature	-20°C - 60°C (-4°F - 140°F); Humidity 90% or less (non-condensing)
IP Grade	IP65

Manufacturing process

Manufacturing process	Monocrystalline solar cells, PET laminated wood
Product Dimensions	292.3 × 194.3 × 6.3 mm (11.5 × 7.6 × 0.25 inch)
Packaging Dimensions	202.5 × 78.0 × 299.0 mm (7.9 × 3.0 × 11.7 inch)
Net Weight	1045 g (36.8 oz)

In the box:

- Solar Panel
- Adjustable Mounting Bracket
- Screw Kit
- Drill Template
- Quick Start Guide

Certifications:

ROHS / REACH / WEEE

Thank You

For more information, visit <https://www.ezvizlife.com/>
Join the EZVIZ communities on Facebook, Instagram, Twitter and YouTube (@ezviz_global)

