



**RoHS compliant**  
**TX-1550/RX-1310 nm Single-mode Bi-directional**  
**SFP LC Simplex Connector                      3 KM**  
**1.0625Gbd Fiber Channel/1.25 Gigabit Ethernet**



### Features

- Compliant with IEEE802.3z Gigabit Ethernet standard
- Compliant with Fiber Channel 100-SM-LC-L standard
- Industry standard small form pluggable (SFP) package
- Simplex LC connector
- Differential LVPECL inputs and outputs
- Single power supply 3.3V
- TTL signal detect indicator
- Hot Pluggable
- Class 1 laser product complies with EN 60825-1

### Application

- Distributed multi-processing
- Switch to switch interface
- High speed I/O for file server
- Bus extension application
- Channel extender, data storage

### Ordering Information

PART NUMBER	INPUT/OUTPUT	MONITOR	VOLTAGE	TEMPERATURE
CL-SFP-WDM-3-55	AC/AC	X	3.3V	0°C to 70 °C
CL-SFP-WDM-3-55DD	AC/AC	Yes	3.3V	0°C to 70 °C
CL-SFP-WDM-3-55I	AC/AC	X	3.3V	-40°C to -85 °C



RoHS compliant  
**TX-1550/RX-1310 nm Single-mode Bi-directional**  
**SFP LC Simplex Connector 3 KM**  
**1.0625Gbd Fiber Channel/1.25 Gigabit Ethernet**

**Absolute Maximum Ratings**

PARAMETER	SYMBOL	MIN	MAX	UNITS	NOTE
Storage Temperature	$T_S$	-40	85	°C	
Supply Voltage	$V_{CC}$	-0.5	4.0	V	
Input Voltage	$V_{IN}$	-0.5	$V_{CC}$	V	
Output Current	$I_o$	---	50	mA	
Operating Current	$I_{OP}$	---	400	mA	

**Recommended Operating Conditions**

PARAMETER	SYMBOL	MIN	MAX	UNITS	NOTE
Case Operating Temperature	$T_C$	0	70	°C	CL-SFP-WDM-3-31
		-40	85	°C	CL-SFP-WDM-3-31DD
Supply Voltage	$V_{CC}$	3.1	3.5	V	
Supply Current	$I_{TX} + I_{RX}$	---	300	mA	

**Transmitter Electro-optical Characteristics**

$V_{CC} = 3.1\text{ V to }3.5\text{ V}, T_C = 0^\circ\text{C to }70^\circ\text{C} (-40^\circ\text{C to }85^\circ\text{C})$

PARAMETER	SYMBOL	MIN	TYP.	MAX	UNITS	NOTE
Output Optical Power 9/125 $\mu\text{m}$ fiber	$P_{out}$	-9	---	-3	dBm	Average
Extinction Ratio	$ER$	9	---	---	dB	
Center Wavelength	$\lambda_C$	1530	1550	1570	nm	
Spectral Width (-20dB)	$\Delta\lambda$	---	---	1	nm	
Side Mode Suppression Ratio	$SMSR$	30			dB	
Rise/Fall Time, (20–80%)	$T_{r,f}$	---	---	260	ps	
Relative Intensity Noise	$RIN$	---	---	-120	dB/Hz	
Total Jitter	$TJ$	---	---	227	ps	
Output Eye		Compliant with IEEE802.3z				
Max. $P_{out}$ TX-DISABLE Asserted	$P_{OFF}$	---	---	-45	dBm	
Differential Input Voltage	$V_{DIFF}$	0.4	---	2.0	V	



RoHS compliant  
TX-1550/RX-1310 nm Single-mode Bi-directional  
SFP LC Simplex Connector 3 KM  
1.0625Gbd Fiber Channel/1.25 Gigabit Ethernet

### Receiver Electro-optical Characteristics

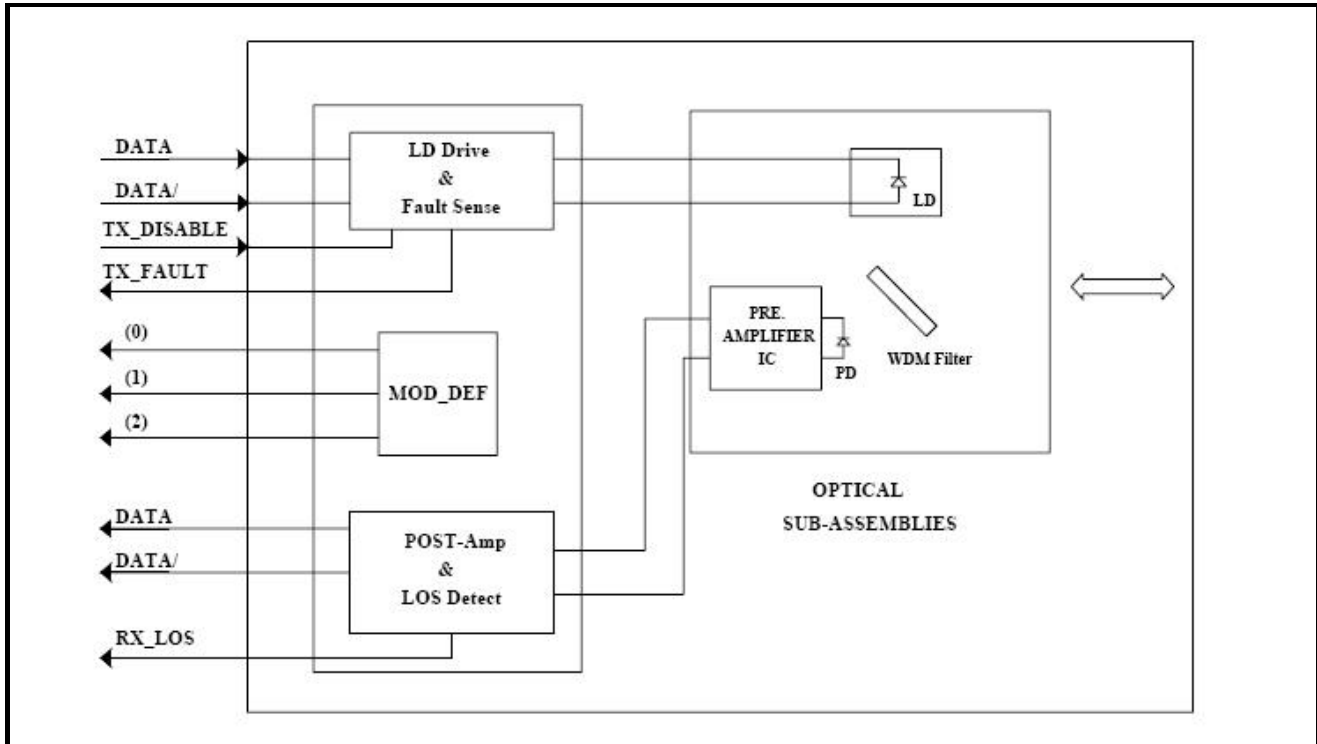
$V_{CC} = 3.1 \text{ V to } 3.5 \text{ V}, T_A = 0^\circ \text{ C to } 70^\circ \text{ C} (-40^\circ \text{ C to } 85^\circ \text{ C})$

PARAMETER	SYMBOL	MIN	TYP.	MAX	UNITS	NOTE
Optical Input Power-maximum	$P_{IN}$	-1	---	---	dBm	BER < $10^{-12}$
Optical Input Power-minimum (Sensitivity)	$P_{IN}$	---	----	-21	dBm	BER < $10^{-12}$
Operating Center Wavelength	$\lambda_C$	1260	---	1360	nm	
Optical Return Loss	ORL	14	---	---	dB	
Optical isolation	ISO	---	---	-40	dB	$\lambda = 1260 \sim 1360 \text{ nm}$
Signal Detect-Asserted	$P_A$	---	---	-21	dBm	$\lambda = 1260 \sim 1360 \text{ nm}$
Signal Detect-Deasserted	$P_D$	-35	---	---	dBm	
Differential Output Voltage	$V_{DIFF}$	0.5	---	1.2	V	
Data Output Rise, Fall Time (20–80%)	$T_{r,f}$	---	---	0.35	ns	
Receiver Loss of Signal Output Voltage-Low	$RX\_LOS_L$	0	---	0.5	V	
Receiver Loss of Signal Output Voltage-High	$RX\_LOS_H$	2.4	---	$V_{CC}$	V	



RoHS compliant  
TX-1550/RX-1310 nm Single-mode Bi-directional  
SFP LC Simplex Connector 3 KM  
1.0625Gbd Fiber Channel/1.25 Gigabit Ethernet

### Block Diagram of Transceiver



#### Transmitter and Receiver Optical Sub-assembly Section

A 1550 nm InGaAsP laser and an InGaAs PIN photodiode integrate with an WDM filter to form a bi-directional single fiber optical subassembly (OSA). The laser of OSA is driven by a LD driver IC which converts differential input LVPECL logic signals into an analog laser driving current. And, The photodiode of OSA is connected to a circuit providing post-amplification quantization, and optical signal detection.

**TX\_DISABLE** The

**TX\_DISABLE** signal is high (TTL logic “1”) to turn off the laser output.

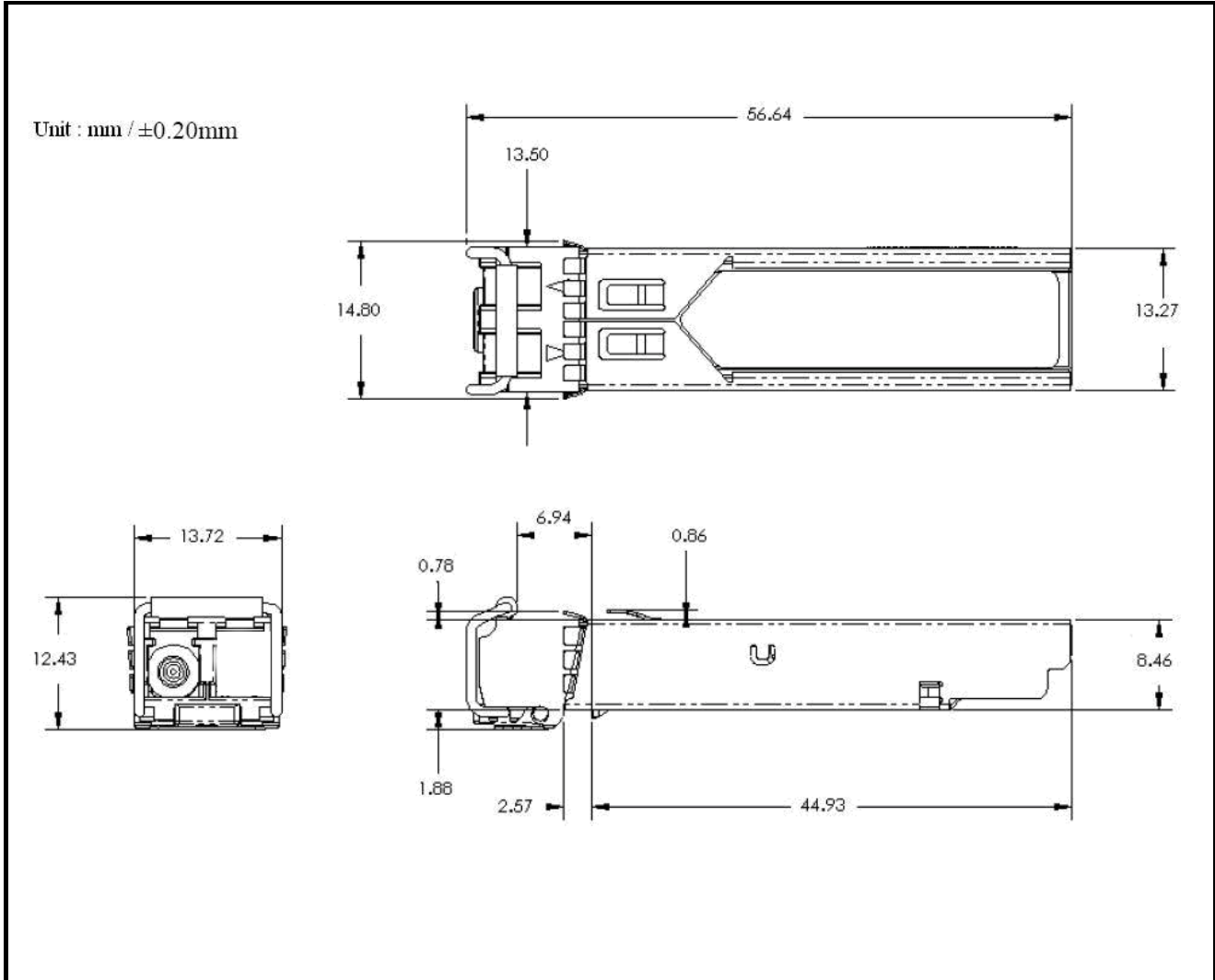
**Receive Loss (RX\_LOS)**

The **RX\_LOS** is high (logic “1”) when there is no incoming light from the companion transceiver. This signal is normally used by the system for the diagnostic purpose. The signal is operated in TTL level.



RoHS compliant  
TX-1550/RX-1310 nm Single-mode Bi-directional  
SFP LC Simplex Connector 3 KM  
1.0625Gbd Fiber Channel/1.25 Gigabit Ethernet

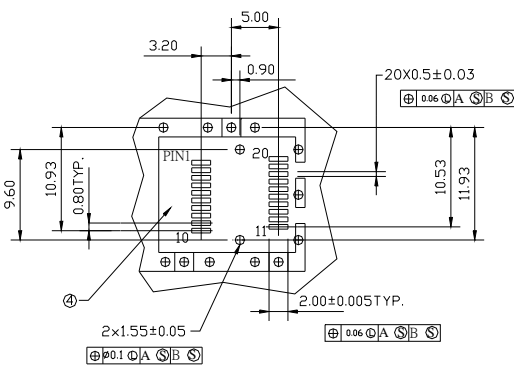
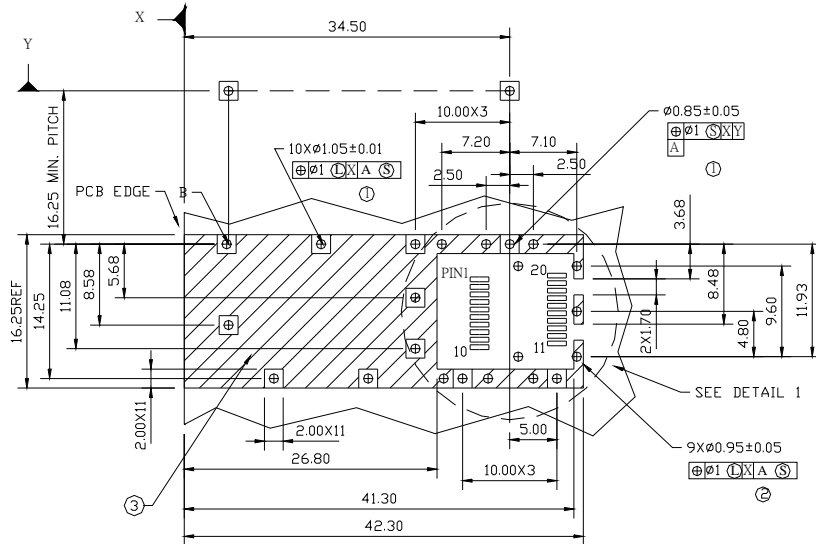
Dimensions





**RoHS compliant**  
**TX-1550/RX-1310 nm Single-mode Bi-directional**  
**SFP LC Simplex Connector 3 KM**  
**1.0625Gbd Fiber Channel/1.25 Gigabit Ethernet**

**SFP host board mechanical layout**



DETAIL 1

Unit: mm

**LEGEND**

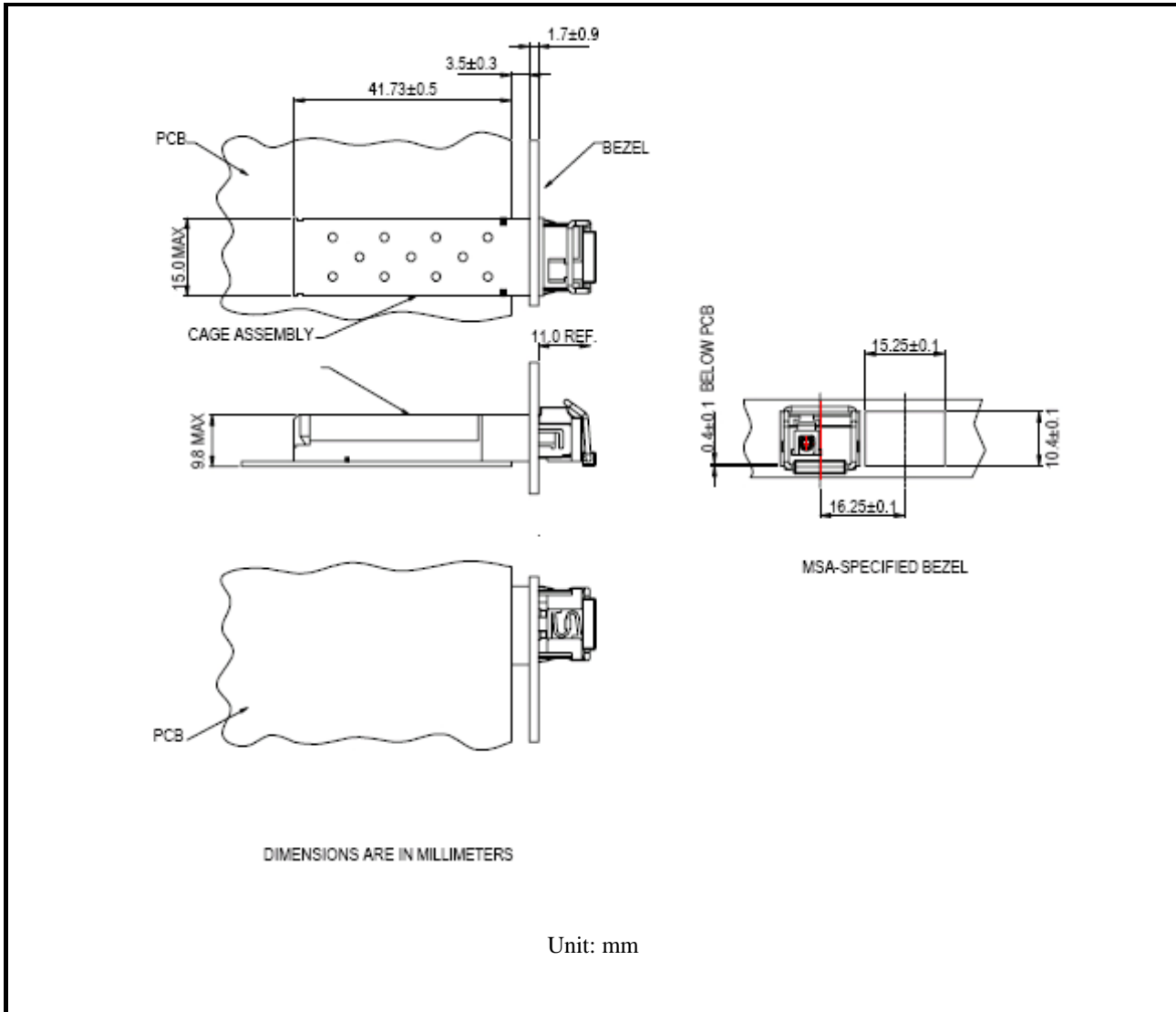
- 1.PADS AND VIAS ARE CHASSIS GROUND
- 2.THROUGH HOLES, PLATING OPTIONAL
- 3.HATCHED AREA DENOTES COMPONENT AND TRACE KEEPOUT(EXCEPT CHASSIS GROUND)
- 4.AREA DENOTES COMPONENT KEEPOUT (TRACES ALLOWED)

DIMENSIONS ARE IN MILLIMETERS



**RoHS compliant**  
**TX-1550/RX-1310 nm Single-mode Bi-directional**  
**SFP LC Simplex Connector 3 KM**  
**1.0625Gbd Fiber Channel/1.25 Gigabit Ethernet**

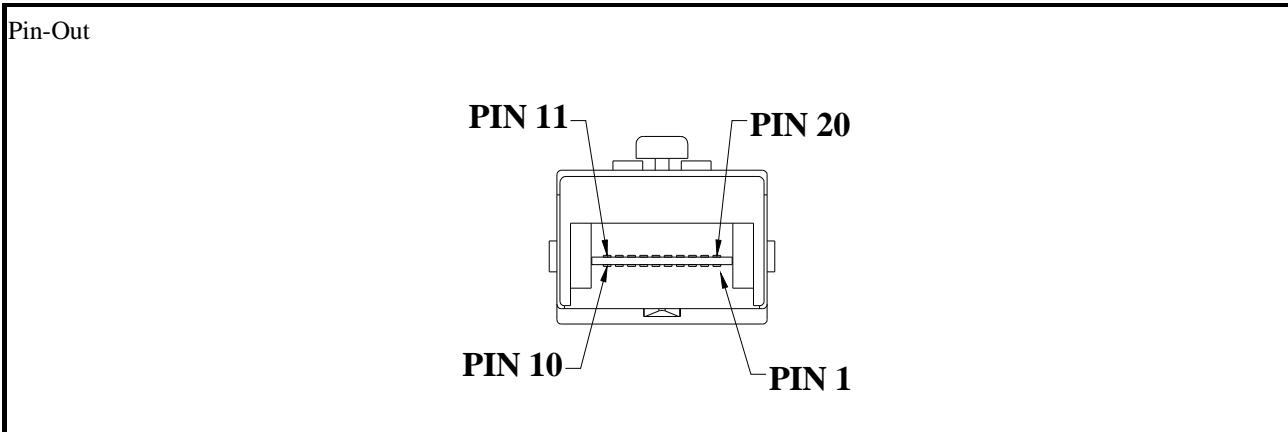
**Assembly drawing**





**RoHS compliant**  
**TX-1550/RX-1310 nm Single-mode Bi-directional**  
**SFP LC Simplex Connector                      3 KM**  
**1.0625Gbd Fiber Channel/1.25 Gigabit Ethernet**

### Pin Assignment



Pin	Signal Name	Description
1	$T_{GND}$	Transmit Ground
2	$TX\_FAULT$	Transmit Fault
3	$TX\_DISABLE$	Transmit Disable
4	$MOD\_DEF (2)$	SDA Serial Data Signal
5	$MOD\_DEF (1)$	SCL Serial Clock Signal
6	$MOD\_DEF (0)$	TTL Low
7	$RATE\_SELECT$	Open Circuit
8	$RX\_LOS$	Receiver Loss of Signal, TTL High, open collector
9	$R_{GND}$	Receiver Ground
10	$R_{GND}$	Receiver Ground
11	$R_{GND}$	Receiver Ground
12	$RX-$	Receive Data Bar, Differential PECL, ac coupled
13	$RX+$	Receive Data, Differential PECL, ac coupled
14	$R_{GND}$	Receiver Ground
15	$V_{CCR}$	Receiver Power Supply
16	$V_{CCT}$	Transmitter Power Supply
17	$T_{GND}$	Transmitter Ground
18	$TX+$	Transmit Data, Differential PCEL, ac coupled
19	$TX-$	Transmit Data Bar, Differential PCEL, ac coupled
20	$T_{GND}$	Transmitter Ground





**RoHS compliant**  
**TX-1550/RX-1310 nm Single-mode Bi-directional**  
**SFP LC Simplex Connector                    3 KM**  
**1.0625Gbd Fiber Channel/1.25 Gigabit Ethernet**

---

**Eye Safety Mark**

The SFP series singlemode transceiver is a class 1 laser product. It complies with EN 60825-1 and FDA 21 CFR 1040.10 and 1040.11. In order to meet laser safety requirements the transceiver shall be operated within the Absolute Maximum Ratings.

**Caution**

All adjustments have been done at the factory before the shipment of the devices. No maintenance and user serviceable part is required. Tampering with and modifying the performance of the device will result in voided product warranty.

**Required Mark**

Class 1 Laser Product  
Complies with  
21 CFR 1040.10 and 1040.11

Note : All information contained in this document is subject to change without notice.