

LUMI
ergo

LDT20 Series

Aluminum Slim
Mechanical Spring
Monitor Arm

Aesthetically designed with functionality and ease



LDT20-C012
Features Video

E-mail: info@lumi.cn / www.lumi.cn

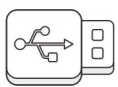
LDT20 Series

Aluminum Slim Mechanical Spring Monitor Arm

LUMI
ergo

1/2/3/ Ease of Installation

No more crawling under desks on your hands and knees! With the new top mounting feature, installations can be made from above the desk, quickly and easily. Installing monitor arms has never been easier or more convenient thereby greatly reduces installation time.



2x3.0 USB Ports
convenient for supporting
data transfer and charging



Clamp & Grommet Installation
accommodate more users



1
Installs from Top Side
installs entirely from above the desk surface



2
Smooth Arm Insertion
ensures easy installation



3
Built-In Elbow Spring Gauge
allows perfect weight adjustments at any level

LDT20 Series

Aluminum Slim Mechanical Spring Monitor Arm



LDT20-C012

LDT20-C012U with USB Ports



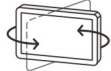
Screen Size
17" ~ 32"



VESA Compatible
75x75 100x100



Tilt Range
+90° ~ -90°



Swivel Range
+90° ~ -90°



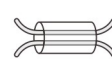
Screen Rotation
+90° ~ -90°



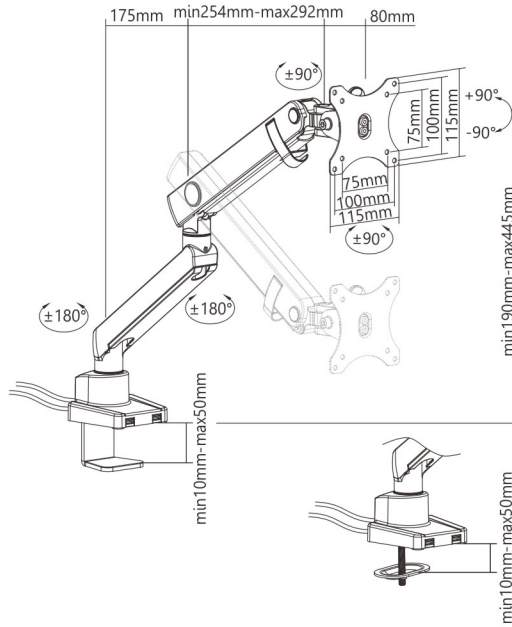
Weight Capacity
0-8kg/0-17.6lbs



Detachable
VESA Plate



Cable
Management



LDT20-C024

LDT20-C024U with USB Ports



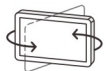
Screen Size
17" ~ 32"



VESA Compatible
75x75 100x100



Tilt Range
+90° ~ -90°



Swivel Range
+90° ~ -90°



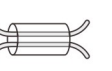
Screen Rotation
+90° ~ -90°



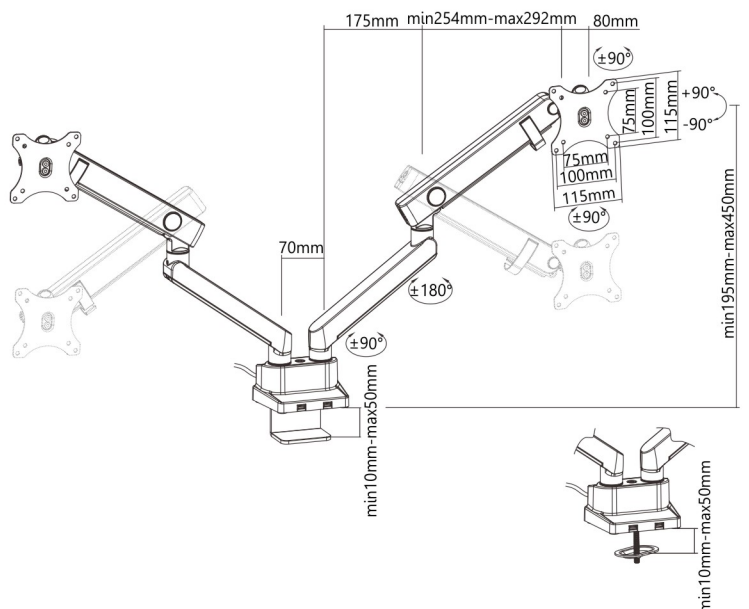
Weight Capacity
0-8kg/0-17.6lbs
(x2)



Detachable
VESA Plate



Cable
Management



LDT20 Series

Aluminum Slim Pole Held Mechanical Spring Monitor Arm



LDT20-C012P

LDT20-C012UP with USB Ports



Screen Size
17" ~ 32"



VESA Compatible
75x75 100x100



Tilt Range
+90° ~ -90°



Swivel Range
+90° ~ -90°



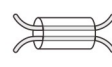
Screen Rotation
+90° ~ -90°



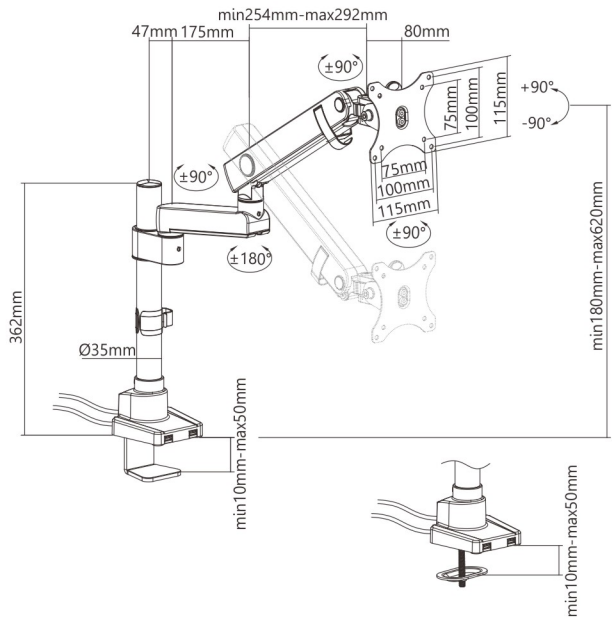
Weight Capacity
0-8kg/0-17.6lbs



Detachable
VESA Plate



Cable
Management



LDT20-C024P

LDT20-C024UP with USB Ports



Screen Size
17" ~ 32"



VESA Compatible
75x75 100x100



Tilt Range
+90° ~ -90°



Swivel Range
+90° ~ -90°



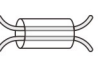
Screen Rotation
+90° ~ -90°



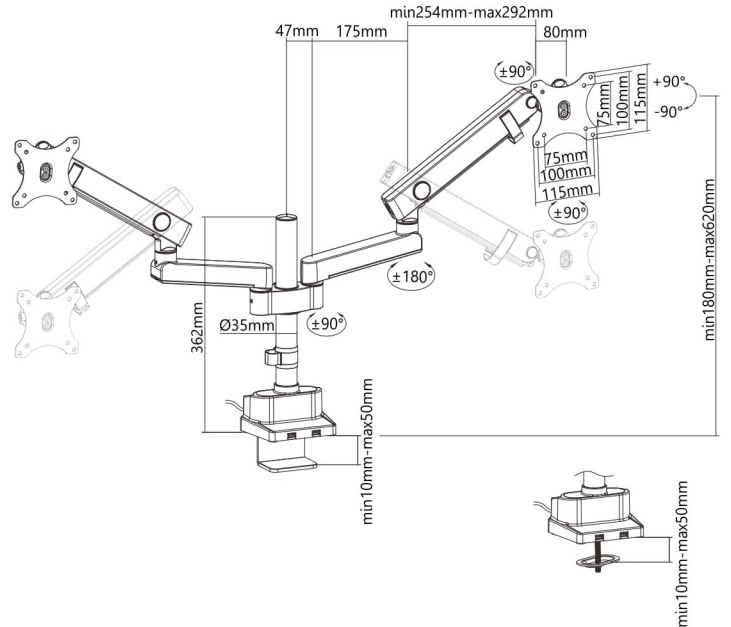
Weight Capacity
0-8kg/0-17.6lbs
(x2)



Detachable
VESA Plate



Cable
Management



LDT20 Series

Aluminum Slim Pole Held Mechanical Spring Monitor Arm



LDT20-C036P

LDT20-C036UP with USB Ports



Screen Size
17" - 27"



VESA Compatible
75x75 100x100



Tilt Range
+90° ~ -90°



Swivel Range
+90° ~ -90°



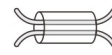
Screen Rotation
+90° ~ -90°



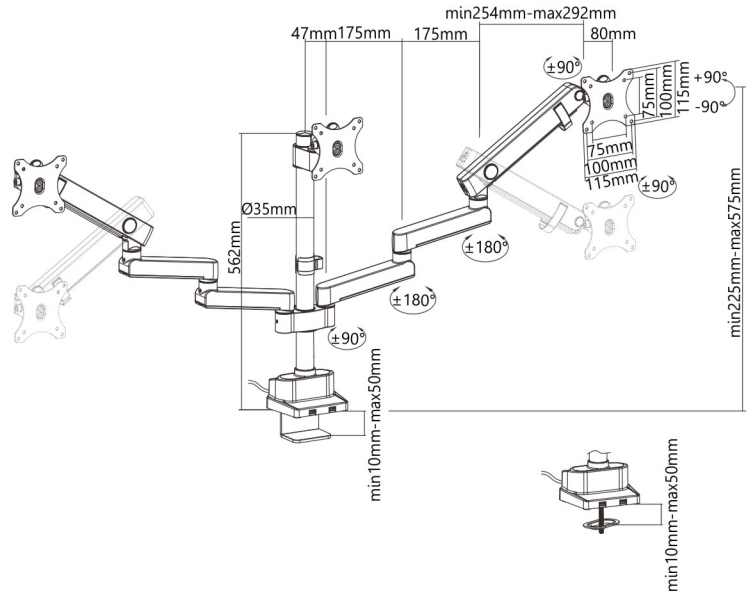
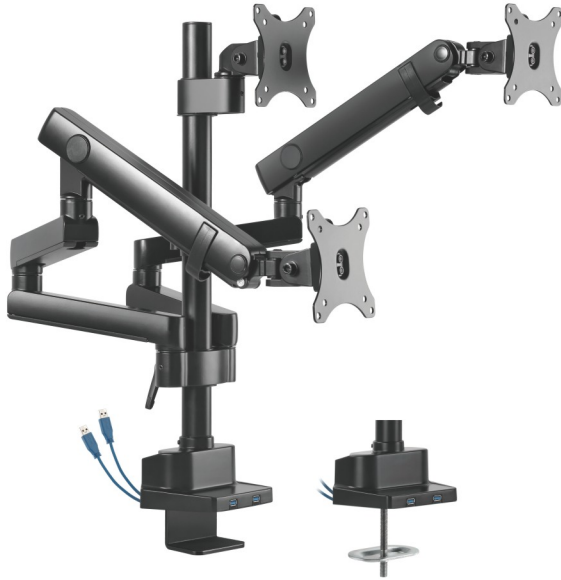
Weight Capacity
0-7kg/0-15.4lbs
(x3)



Detachable
VESA Plate



Cable
Management



LDT20 Series

Aluminum Slim Mechanical Spring Monitor Arm with Laptop Holder

Use Laptop for Instants,
Use Desktop for Works Required
More Computer Power



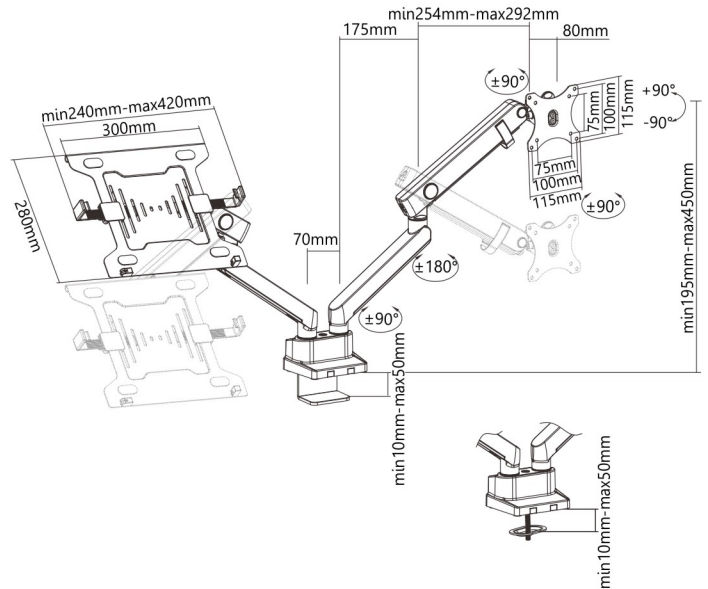
LDT20 Series

Aluminum Slim Mechanical Spring Monitor Arm with Laptop Holder



LDT20-C024ML

- Screen Size: 17" - 32"
- VESA Compatible: 75x75 100x100
- Tilt Range: +90° ~ -90°
- Swivel Range: +90° ~ -90°
- Screen Rotation: +90° ~ -90°
- Weight Capacity: 0-8kg/0-17.6lbs
- Weight Capacity: 4.5kg/9.9lbs
- Detachable VESA Plate
- Cable Management



LDT20-C024PML

- Screen Size: 17" - 32"
- VESA Compatible: 75x75 100x100
- Tilt Range: +90° ~ -90°
- Swivel Range: +90° ~ -90°
- Screen Rotation: +90° ~ -90°
- Weight Capacity: 0-8kg/0-17.6lbs
- Weight Capacity: 4.5kg/9.9lbs
- Detachable VESA Plate
- Cable Management

