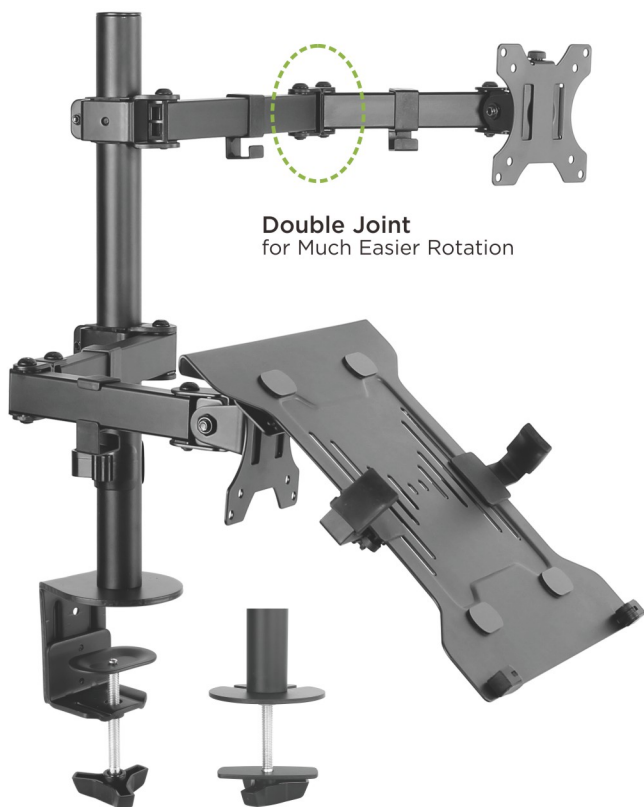


LDT12 Series

Economical Steel Articulating Monitor Arms



LDT12-C1M2KN



Screen Size
13"-32"



Weight Capacity
8kg/17.6lbs



Weight Capacity
4.5kg/9.9lbs



VESA Compatible
75x75 100x100



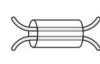
Tilt Range
+45°--45°



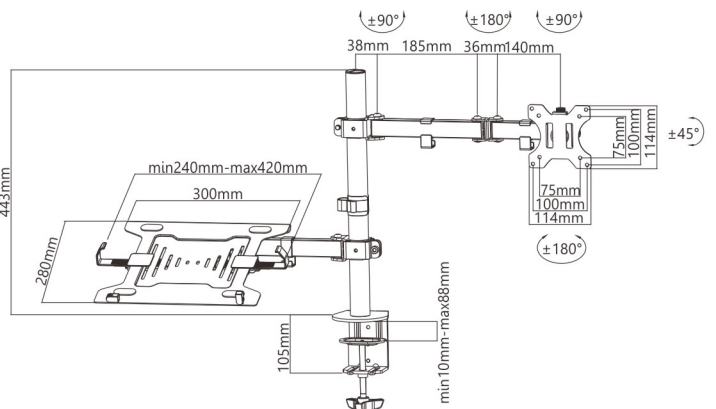
Swivel Range
+90°--90°



Screen Rotation
360°

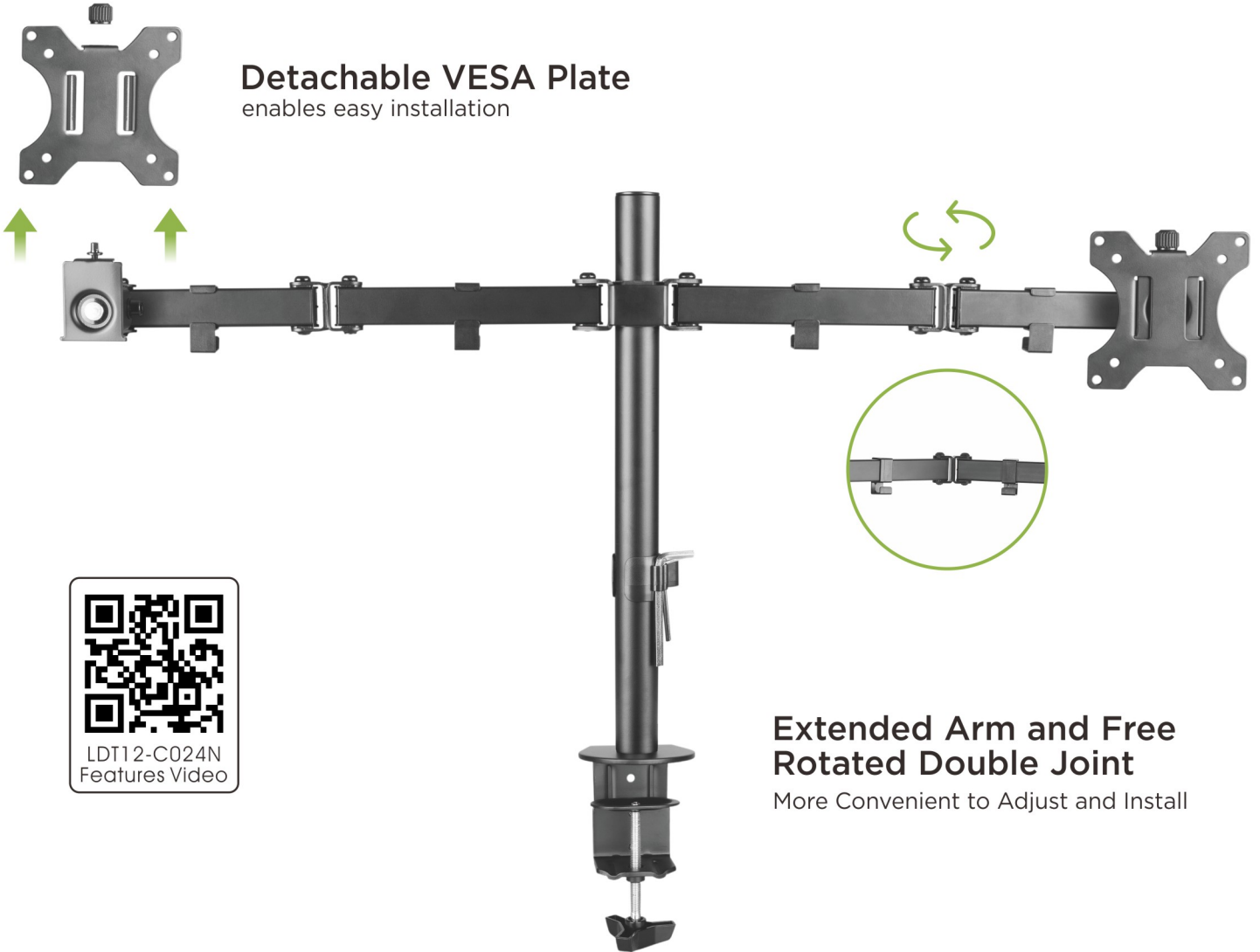


Cable
Management



LDT12 Series

Economical Steel Articulating Monitor Arms



Individual Height Adjustment

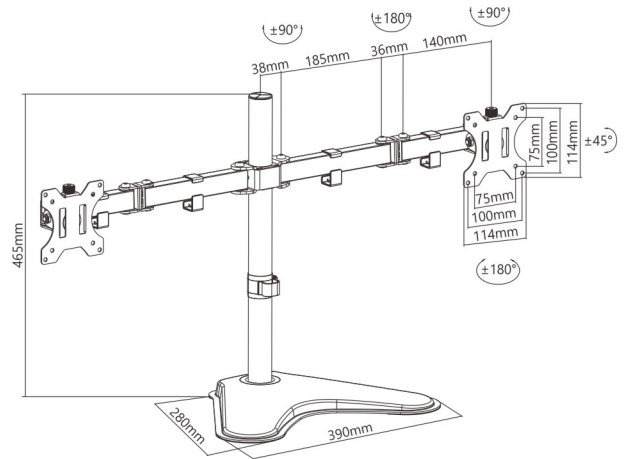
helps monitors to be perfectly aligned



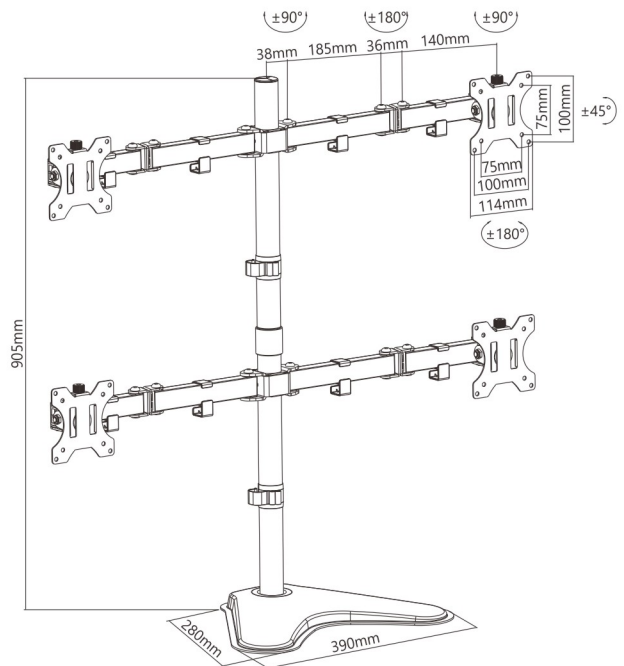
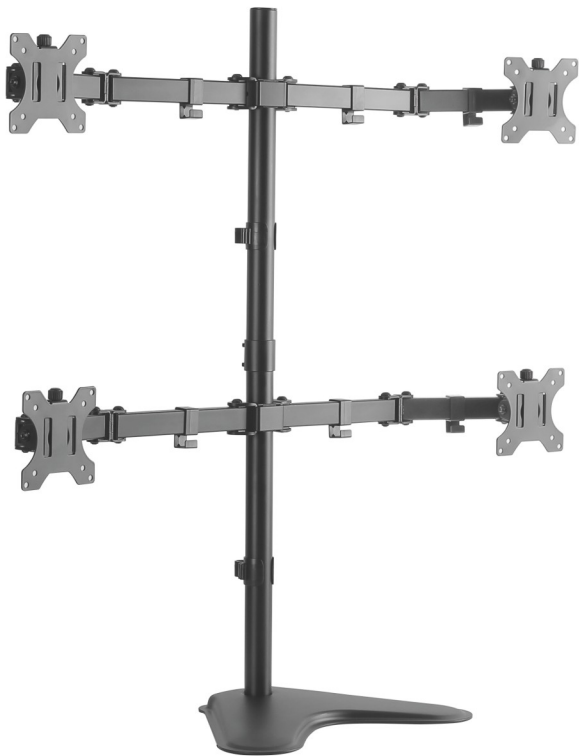
LDT12 Series

Economical Steel Articulating Monitor Arms

LDT12-T024N



LDT12-T048N



Screen Size
13"-32"



Weight Capacity
8kg/17.6lbs



VESA Compatible
75x75 100x100



Tilt Range
+45°--45°



Swivel Range
+90°--90°



Screen Rotation
360°

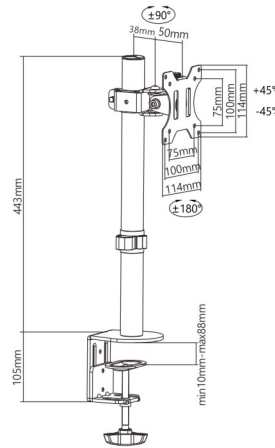


Cable
Management

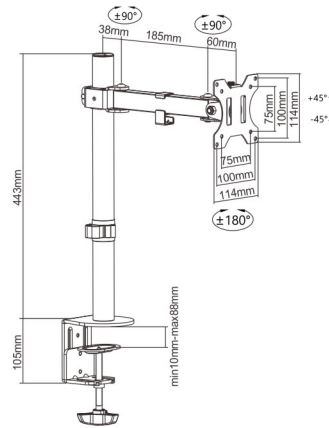
LDT12 Series

Economical Steel Articulating Monitor Arms

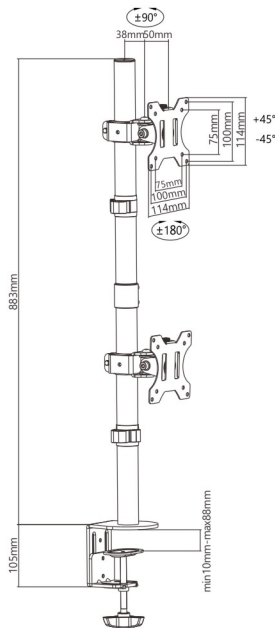
LDT12-C01



LDT12-C011



LDT12-C02V



Screen Size
13"-32"



Weight Capacity
8kg/17.6lbs



VESA Compatible
75x75 100x100



Tilt Range
+45°~-45°



Swivel Range
+90°~-90°



Screen Rotation
360°

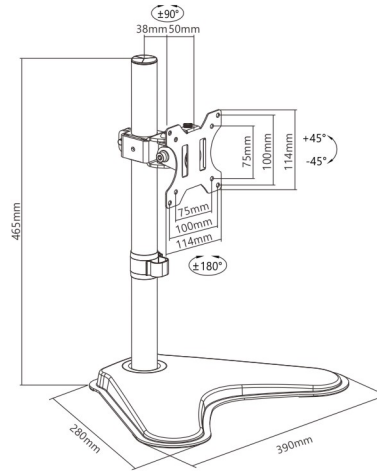


Cable
Management

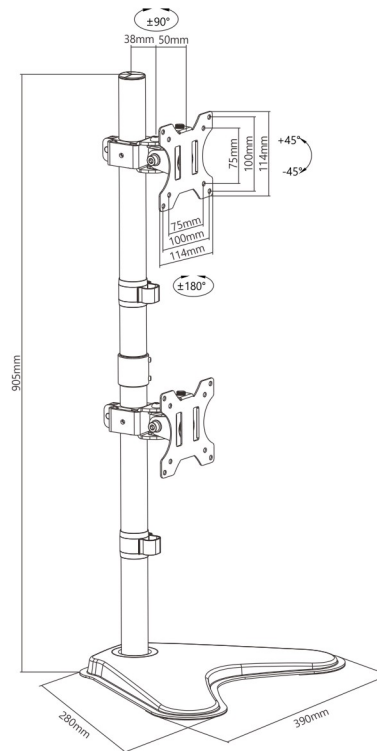
LDT12 Series

Economical Steel Articulating Monitor Arms

LDT12-T01



LDT12-T02V



Screen Size
13"-32"



Weight Capacity
8kg/17.6lbs



VESA Compatible
75x75 100x100



Tilt Range
+45°--45°



Swivel Range
+90°--90°



Screen Rotation
360°



Cable
Management