

54-Port Gigabit Web Smart Switch with 6 SFP+ 10G Ports

GS-5654LX

FEATURES

- 48 Gigabit Ethernet ports and 6 SFP+ 10Gigabit uplink ports
- Power saving and noise reduction by Intelligent Thermal Controller to control the speeds of each fan or turn on/off
- Surge Protection 6KV to avoid the damage of the switch and connected devices
- Dual-firmware image for robust failover mechanisms.
- 216 Gbps Backplane bandwidth
- 160.7Mpps (64-byte package size) Forwarding rate
- 32K MAC address table and 12KB Jumbo frame
- Supports SNMP v3, Access Control List (ACL), QoS, 802.1Q VLAN, IPv4/IPv6, Port Trunking, Port Mirroring, IGMP v1/v2/v3 Snooping and etc.

OVERVIEW

The EDIMAX Pro GS-5654LX web-smart switch comes with a web-based user interface, 48 Gigabit ports, and 6 SFP+ ports for 10 Gigabit uplinks. The Gigabit connectivity fully utilizes the power of your office networking for demanding tasks, such as data backup, video conferencing, IP surveillance, high volume transaction processing, large file transferring, and more.

With smart features such as SNMP v1/v2/v3, PoE PD Alive Check, DHCP Snooping, QoS, CoS, STP, 802.1Q VLAN, IPv4/IPv6, Port Trunking, IGMP v1/v2/v3 Snooping and Port Mirroring, the EDIMAX Pro GS-5654LX web smart switch provides a cost-effective, reliable, scalable and secure switch solution for SMB networks.

Intelligent Thermal Control | Power Saving Implementation

With a dedicated and intelligent microchip for cooling system control, the GS-5654LX can measure and control fan speeds, also turn on/off each fan for power saving and noise reduction.

216Gbps Backplane Bandwidth | Strong Ability to Proceed Data

With 216Gbps backplane bandwidth, the GS-5654LX has a strong switching capability for sending data to the destination devices at ultra-high speed. It supports a forwarding rate of 160.7Mpps (64-byte package size), utilizing the maximum available bandwidth without delay.

Completed Smart Tools | Intuitive and Powerful

The switch features smart and simple network monitoring tools that allow for improved network efficiency and security. The web-based interface management features QoS (Quality of Service) bandwidth control for better traffic control, VLAN (Virtual LAN) for enhanced network security and multicast IGMP snooping v1/v2/v3 for streaming applications. For quick and easy setup, the web-based management integrates advanced management and security functions of Access Control List (ACL), CoS, STP, Port Trunking, IGMP v1/v2/v3 Snooping and Port Mirroring.

SPECIFICATIONS

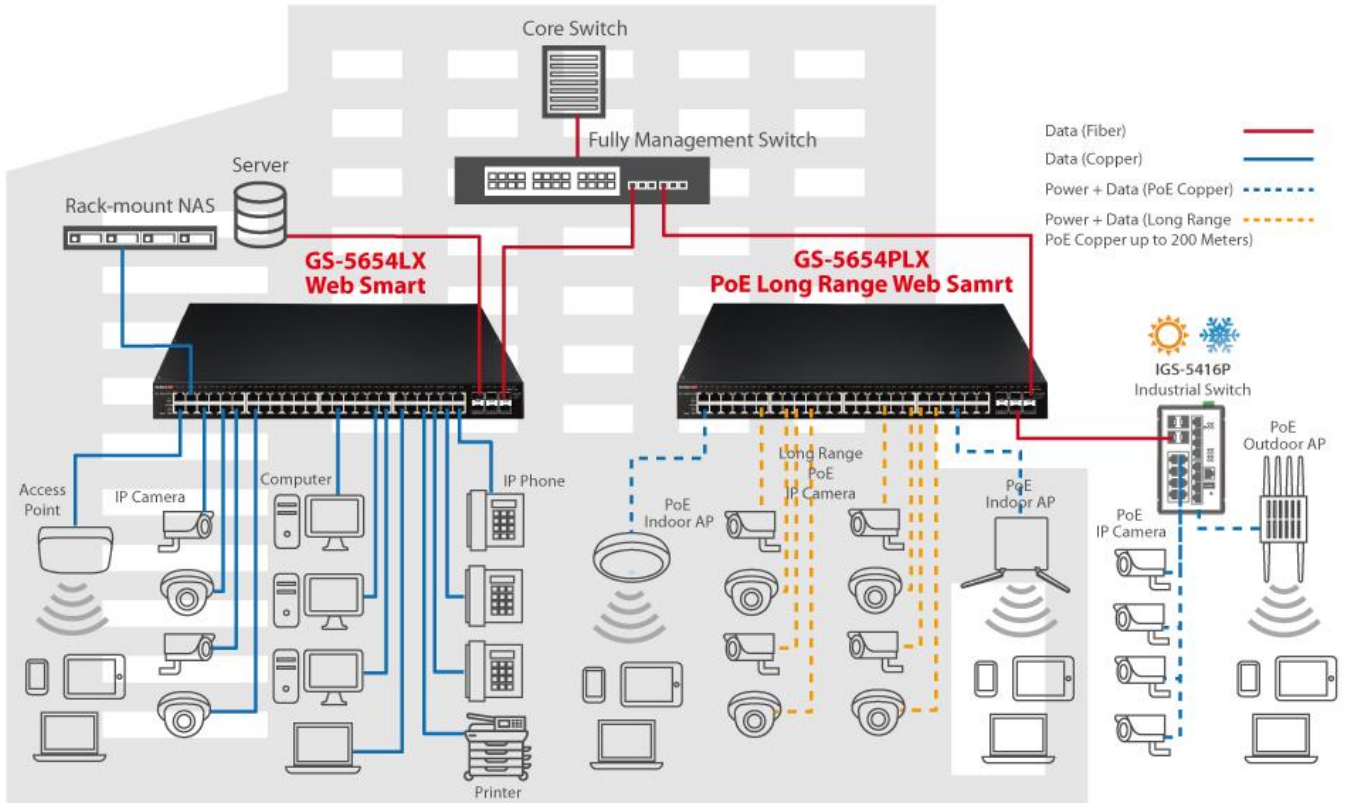
HARDWARE	
Ports	48 x RJ45 10/100/1000Base-T Gigabit ports 6 x SFP+ 10GBase-X 10 Gigabit uplinks ports 1 x RJ45 Console port
Buttons	Reset button
LED Indicators	Per Port: Link/Act Per Unit: SYS (System), PWR (Power)
Power Input	100-240V AC, 50-60 Hz, internal power supply
Mounting	Desktop / Rack-mount (Rack-mount kit included)
Housing	Metal
Fan	3 x Fan (2 fans with hot-swappable fan trays) with Intelligent Thermal Controller
Dimensions	441(W) x 270(D) x 45(H) mm
Weight	4.05kg

PERFORMANCE	
Switching Capacity	216Gbps
MAC Address	32K
Jumbo Frame	12KB
Buffer Memory	16Mb
Filtering/ Forwarding Rates	Max. 160.7Mpps (64-byte package size) 10000Mbps port - 14,880,000pps 1000Mbps port - 1,488,000pps 100Mbps port - 148,800pps 10Mbps port - 14,880pps

OTHERS	
Standards	IEEE 802.3 10BaseT Ethernet IEEE 802.3u 100BaseTX Fast Ethernet IEEE 802.3ab 1000BaseT Gigabit Ethernet IEEE802.3ae 10GBase-X 10 Gigabit Ethernet IEEE 802.3z 1000BaseSX/LX IEEE 802.3x Full-duplex and flow control IEEE 802.1p Quality of Service (QoS) IEEE 802.1x Port-based Network Access Control (PNAC) IEEE 802.1Q Virtual LANs VLANs IEEE 802.1d Spanning Tree Protocol (STP) IEEE 802.1s Multiple Spanning Tree Protocol (MSTP) IEEE 802.1w Rapid Spanning Tree Protocol (RSTP) IEEE 802.1AB Link Layer Discovery Protocol (LLDP) IEEE 802.3ad Link Aggregation Control Protocol (LACP) IEEE 802.3az Energy Efficient Ethernet
Environmental Condition	Operating Temperature: 0~50°C (32~122°F) Storage Temperature: -40~70°C (-40~158°F) Operating Humidity: 10~90% (NonCondensing) Storage Humidity: 10~90% (NonCondensing)
Certifications	FCC, CE

SMART FEATURES	
Quality of Service (QoS)	Rate limiting on packets sent and received by an interface Eight queues on each port WRR, SP, WRR+SP queue scheduling algorithms Re-marking of the 802.1p priority and DSCP priority Rate limiting in each queue and traffic shaping on ports
Class of Service (CoS)	IEEE 802.1p class of service (SPQ, WRR) Port-based CoS IP TOS precedence 802.1p VLAN Information based CoS DSCP based CoS TCP/UDP Based CoS
Spanning Tree	IEEE 802.1d Spanning Tree Protocol (STP) IEEE 802.1s Multiple Spanning Tree Protocol (MSTP) IEEE 802.1w Rapid Spanning Tree Protocol (RSTP)
VLAN	Up to 256 VLANs and 4096 VLAN IDs 802.1Q tag-based VLAN Port-based VLAN Surveillance VLAN Voice VLAN MAC VLAN GVRP
IPv6	IPv6 over Ethernet (RFC 2464) Dual-stack (RFC 4213) ICMPv6 (RFC 4884) Neighbor discovery (RFC 4861) Auto configuration Static IPv6 address and prefix length Static IPv6 default gateway IPv6 duplicate address detection
Port Trunk	IEEE 802.3ad LACP Trunk-Static trunk up to 8 trunk groups
IGMP Snooping	IGMP v1/v2/v3 snooping Block unknown multicast traffic
Mirror	Port mirroring both on ingress and egress traffic
Security	RADIUS AAA Management Access Authentication Manager Port Security Protected Port Storm Control DoS Dynamic ARP Inspection DHCP Snooping IP Source Guard
Management	User Interface: Web-based management User Account: Login account configuration Firmware Upgrade: Firmware upgrade by WEB Syslog: Support event log, alarm log and security log Dual-firmware image for robust failover mechanisms.

APPLICATION DIAGRAM



Maximum performance, actual data rates, and coverage will vary depending on network conditions and environmental factors. Product specifications and design are subject to change without notice. Copyright © 2021 Edimax Technology Co. Ltd. All rights reserved. www.edimax.com 3