

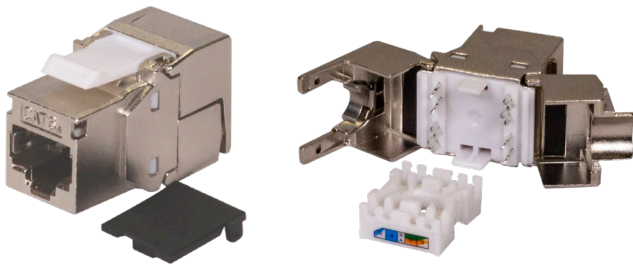
# CAT6A 10G SHIELDED KEYSTONE JACKS

## DESCRIPTION

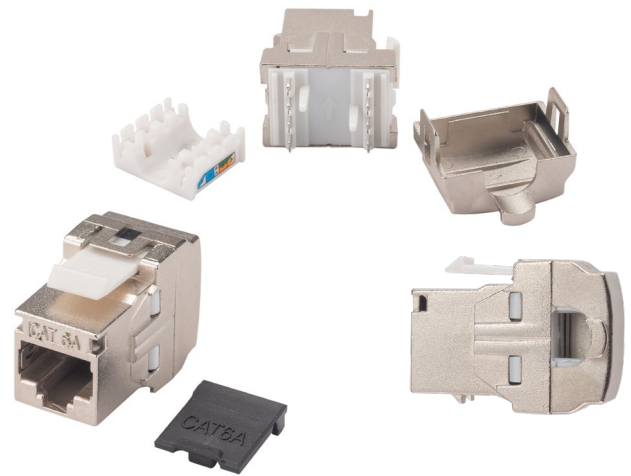
The DYNAMIX CAT6A 10G Shielded Keystone RJ45 Tool-less Jacks are expertly designed for straightforward & effortless installation without the need for specialized tools. These jacks are certified & provide seamless compatibility with a wide range of standard-sized keystone wall plates & patch panels, ensuring a versatile & reliable solution for your structured cabling requirements.

## FEATURES

- Performance meets & exceeds ANSI/TIA-568.2-D & ISO/IEC 11801 2nd edition Category 6A/Class EA
- Supports 10 Gigabit Ethernet requirements according to IEEE 802.3an
- Tool-less termination
- IDC Connector can accept 22AWG~26AWG solid
- 4PPoE Compliant in accordance with IEEE802.bt Type 4



FP-C6AUGS-06



FP-C6AUGS-07 (Side entry)

PRODUCT CODE	DESCRIPTION	TYPE
FP-C6AUGS-06	CAT6A 10G Shielded Keystone Jack	RJ45 CAT6A Class EA 10G
FP-C6AUGS-07	CAT6A 10G Side Entry Shielded Keystone Jack	RJ45 CAT6A Class EA 10G

## SPECIFICATIONS

Insulation Resistance	≥ 500m Ω
Contact Resistance	≤ 20m Ω
Voltage Proof, Contact-Contact	≥ 1000V DC
Voltage Proof, Contact-Shell	≥ 1500V DC
Current Carrying Capacity	1A @ 50°C
Plug Insertion Life	≥ 750 times (RJ45, RJ11/RJ12)
Insertion Force	≤ 30N
Contact Force	99.2g FCC Plug
Plug Retention Force	30lb (133n/13.3Kg)
Temperature Test	-40°C~66°C
Contact Plating	50u" over contact area
Complied Standards	ISO/IEC 11801 2nd edition ANSI/TIA-568.2-D EN50173: 2007 IEC 60603-7-51 PoE+ and 4PPoE Certified

Please note we took the up-most care to compile the information in this datasheet. To the best of our knowledge all info provided were correct at the time of creation. Should any specs change we try to update info accordingly. Information are subject to change without notice. In the case that you find any irregularity please inform our team at [contactus@dynamix.co.nz](mailto:contactus@dynamix.co.nz)

Last updated: 8 November 2023

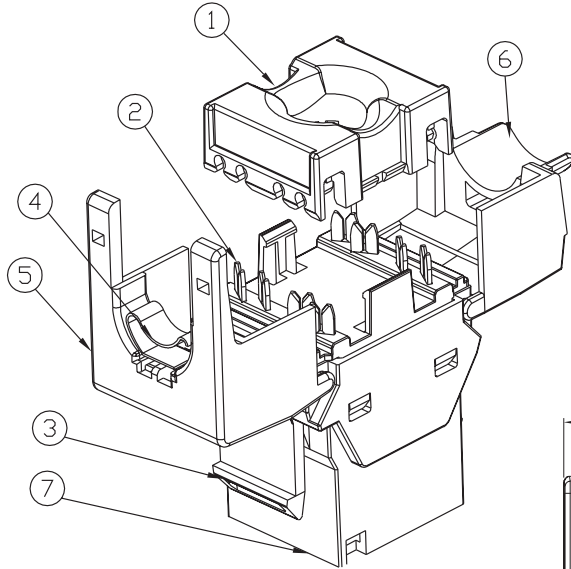
08112023\_WK\_LM/GC\_CG



# CAT6A 10G SHIELDED KEYSTONE JACKS

## TECH DRAWING

FP-C6AUGS-06



1	Line pressing cover: PC FR
2	IDC Terminals: Phosphor bronz, Tin plated
3	ISC Housing: PC FR
4	Ground LUG: SUS304
5	After upper cover: Zn Alloy + Nickel plated
6	After bottom cover: Zn Alloy + Nickel plated
7	Front cover: Zn Alloy + Nickel plated

