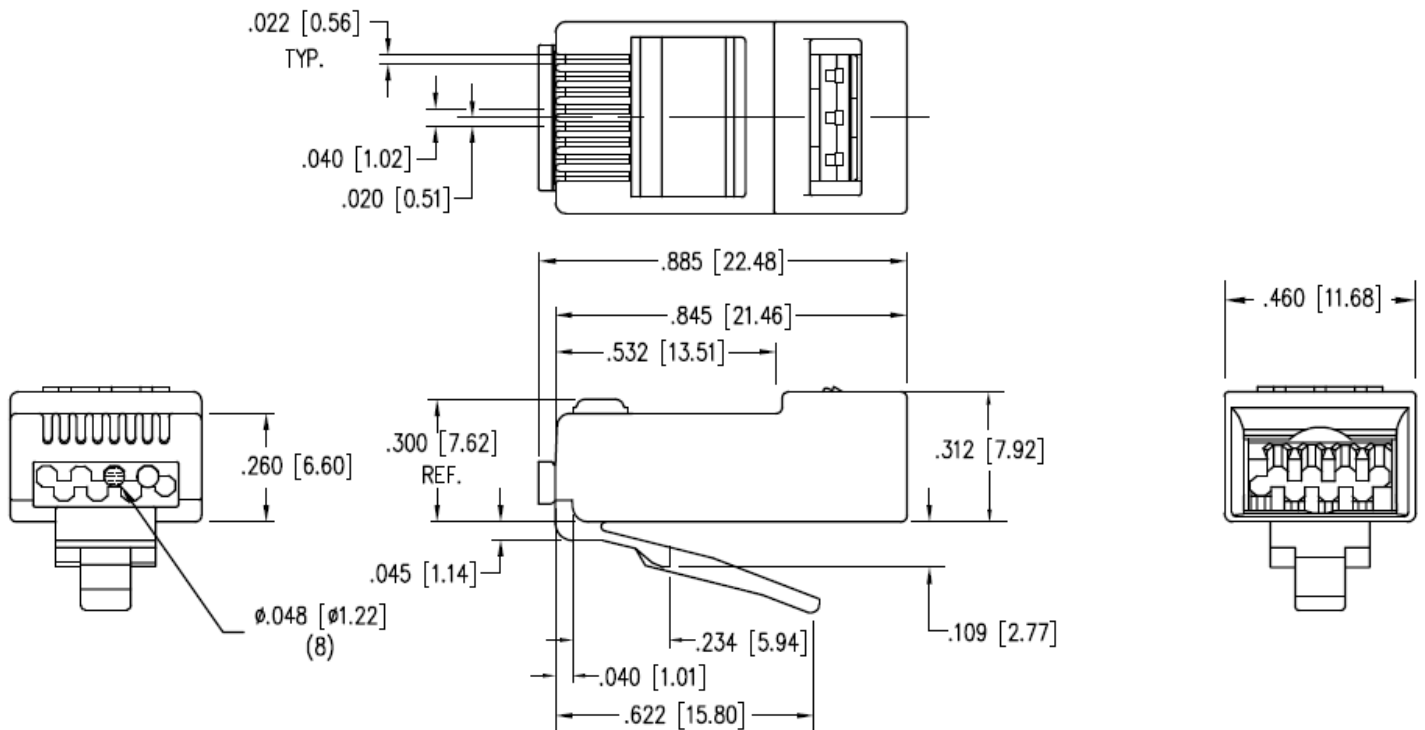
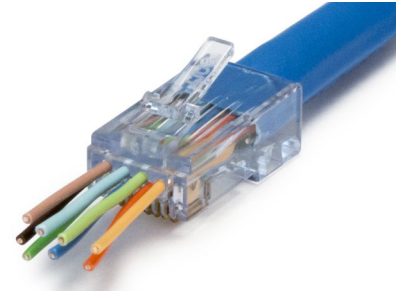




**PART NO.: 106348 ezEX™48 RJ45 connector**

EIGHT CONDUCTOR MODULAR PLUG  
 FOR CONDUCTORS WITH AN O.D. RANGE OF .043" - .048" (1.09—1.22mm)  
 MAX CABLE JACKET OD: .290" (7.37MM)  
 USES .012 CONTACT  
 FOR SOLID OR STRANDED WIRE APPLICATIONS  
 24—22 AWG  
 RoHS2 & UL COMPLIANT  
 MADE IN USA



**SPECIFICATIONS:**

PERFORMANCE:	MEETS OR EXCEEDS CATEGORY 6 ANSI/EIA 568-C.2 PERFORMANCE TUNED TO CABLES MEETING CATEGORY 6 SPECIFICATIONS
TRANSMISSION:	RATED UP TO 10 GIGABIT
CONTACT MATERIAL	PHOSPHOR BRONZE—.012 THK
CONTACT PLATING	50 MICRO INCH SELECTIVE 24 CARAT HARD GOLD IN CONTACT AREA OVER 100 MICRO INCH MINIMUM NICKEL PLATE.
PLUG MATERIAL	POLYCARBONATE
PLUG TOLERANCES/DIMS	COMPLIES WITH F.C.C. REQUIREMENTS
OPERATION TEMPERATURE	-40° TO +85° C
FLAME AUTO EXTINGUISH	94-VO
INSERTION/EXTRACTION	1000 CYCLES
CONTACT RESISTANCE	10 MILLIOHMS MAX.
CURRENT VOLTAGE	30 VAC/42 VDC AT 1.5 AMPS